

Specifications

| Model | TZ-34/20 | |
|---------------------------------------|--------------|---------|
| Measurements | US | Metric |
| Working height* | 40 ft | 12.19 m |
| Platform height | 34 ft | 10.36 m |
| Entry height - extended | 6.4 in | .16 m |
| Horizontal reach | 18 ft 4 in | 5.59 m |
| Clear out reach | 13 ft 5 in | 4.09 m |
| Up and over clearance | 16 ft 1 in | 4.90 m |
| A Platform length | 2 ft 2.8 in | .68 m |
| B Platform width | 3 ft 8 in | 1.12 m |
| C Height - stowed | 6 ft 4.5 in | 1.94 m |
| D Length - stowed | 18 ft .5 in | 5.50 m |
| E Width - stowed | 4 ft 9.1 in | 1.45 m |
| F Ground clearance | 9.5 in | .24 m |
| G Length - outrigger footprint | 10 ft 8.4 in | 3.26 m |
| H Width - outrigger footprint | 11 ft 9.4 in | 3.59 m |

Productivity

| | | |
|---|-----------------------|---------|
| Lift capacity (ANSI, CSA) - standard | 500 lbs | 227 kg |
| Lift capacity (ANSI, CSA) - rotating platform | 460 lbs | 209 kg |
| Lift capacity (CE/AUS) - standard | 440 lbs | 200 kg |
| Lift capacity (CE/AUS) - rotating platform | 400 lbs | 181 kg |
| Self leveling platform | standard | |
| Platform rotation option | 90° mechanical | |
| AC power to platform | standard | |
| Turntable rotation | 359° non-continuous | |
| Outrigger leveling capability | 11° | |
| Towing speed rate | 60 mph | 97 km/h |
| Tongue weight - ANSI, CSA | 315 lbs | 143 kg |
| Tongue weight - CE | 163 lbs | 74 kg |
| Surge and parking brakes | standard | |
| Controls | variable speed system | |
| Tire size - ANSI, CSA | ST 205/75 R15 | |
| Tire size - CE | 185R-14C | |
| Coupler | combination hitch | |

Power

| | | |
|---------------------------|----------------------------------|------|
| Power source | 24V DC (four 6V 225Ah batteries) | |
| Hydraulic tank capacity | 2.65 gal | 10 L |
| Hydraulic system capacity | 4.5 gal | 17 L |

Weight**

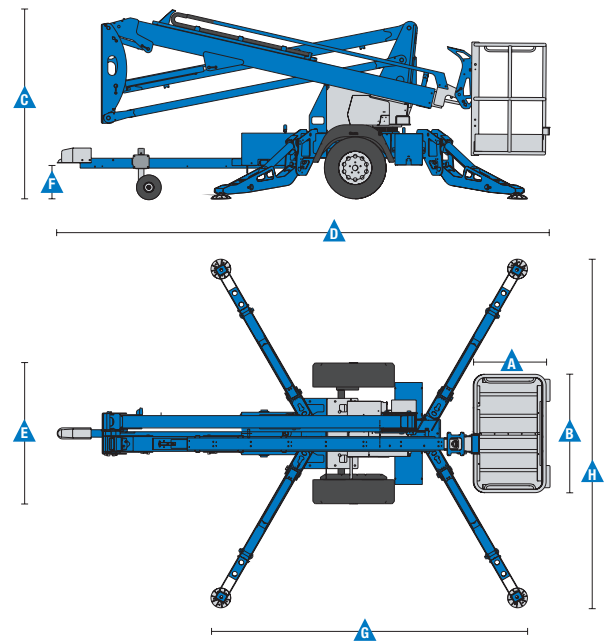
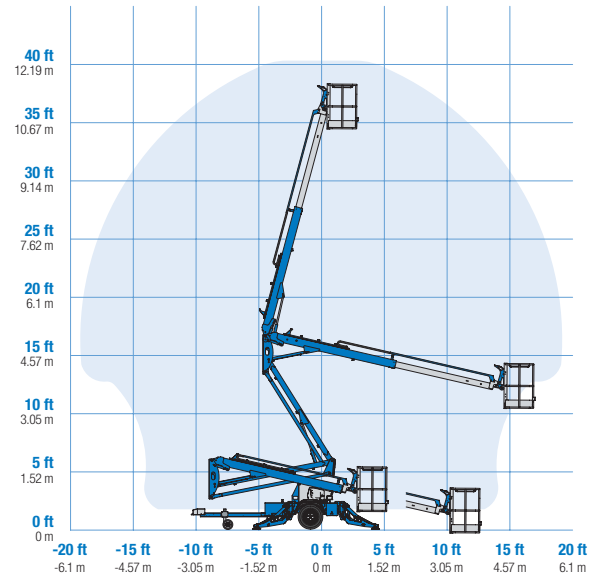
| | | |
|----------------------|-----------|----------|
| ANSI, CSA, Australia | 3,155 lbs | 1,431 kg |
| CE | 3,170 lbs | 1,438 kg |

Standards Compliance

ANSI A92.2, CSA C225, EN 280, AS 1418.10

* The metric equivalent of working height adds 2 m to platform height. U.S. adds 6 ft to platform height.
** Weight will vary depending on options and/or country standards.

Range Of Motion TZ-34/20



Features

| Standard Features | Configurations | Options & Accessories |
|-------------------|----------------|-----------------------|
|-------------------|----------------|-----------------------|

Measurements

- 40 ft (12.36 m) working height
- 18 ft 4 in (5.59 m) horizontal reach
- Up to 500 lbs (227 kg) lift capacity

Productivity

- Industry leading working envelope
- Extension boom
- Self-leveling platform
- Variable speed control system
- AC wiring to platform
- Hydraulic outriggers
- Automatic 11° leveling system
- Outrigger interlocks
- Mechanical parking brake
- Hydraulic surge brakes
- 2 in (5.08 cm) coupler lever lock
- Hitch pull bar
- Adjustable hitch with coupler lever lock
- Single jockey wheels
- 359° non-continuous turntable rotation
- Easy to access batteries
- Hour meter
- Tilt alarm / sensor
- Forklift pockets
- Illuminated outrigger indicators
- Highway safety chains with snap hook
- LED brake lights (ANSI, CSA)

Power

- 24V DC power source (four 6V 225 Ah batteries)

Platform Options

- Aluminum 26.8 x 44 in (.68 x 1.12 m)
- 90° mechanical platform rotation

Power

- 24V DC power source

Coupler Options

- Adjustable hitch
 - 2 in (5.08 cm) ball coupler
 - 2 5/16 in (5.87 cm) ball coupler
 - 2 1/2 in (6.53 cm) I.D. pintle ring coupler
 - Clevis coupler

Tire Options

- ST 205/75 R15 tires (ANSI, CSA)
- 185 R14C tires (CE)
- Dual 10 in (25.4 cm) air filled tires

Productivity

- 90° mechanical platform rotation
- Wheel chocks
- Fluorescent tube caddy
- Full size spare tire
- Flashing beacon
- Non-marking outrigger footpads
- Battery charge indicator (BCI)
- Tool tray
- Horn



Genie United States

6464 185th Ave. NE
Redmond, WA 98052
Telephone +1 (425) 881-1800
Toll Free in USA/Canada +1 (800)-536-1800
Fax +1 (425) 883-3475

Distributed By:

Effective Date: January, 2017. Product specifications and prices are subject to change without notice or obligation. The photographs and/or drawings in this document are for illustrative purposes only. Refer to the appropriate Operator's Manual for instructions on the proper use of this equipment. Failure to follow the appropriate Operator's Manual when using our equipment or to otherwise act irresponsibly may result in serious injury or death. The only warranty applicable to our equipment is the standard written warranty applicable to the particular product and sale and we make no other warranty, express or implied. Products and services listed may be trademarks, service marks or trade names of Terex Corporation and/or their subsidiaries in the USA and many other countries. Terex, Genie and AWP are registered trademarks of Terex Corporation or its subsidiaries. © 2017 Terex Corporation.